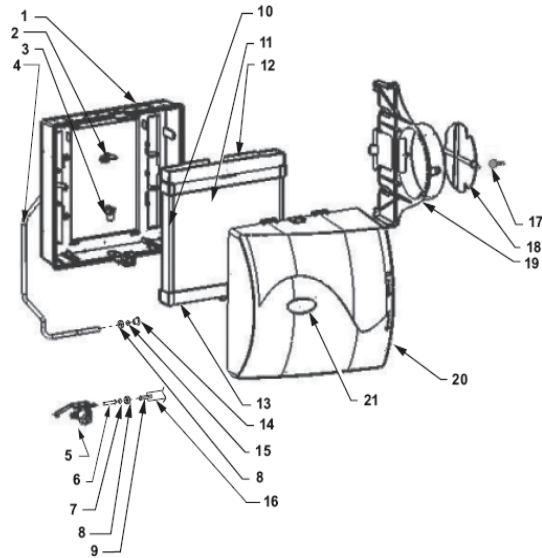




**MODEL 1099 LEGACY POWER HUMIDIFIER**

**23 GPD**

**5 YEAR WARRANTY**



Item	Description	Product Code	Qty Req'd
	Model 1099LHS Humidifier	GF-1099LHS	
1	Chasis	GF-950-1	1
2	Nozzle	GF-900-9	1
3	Spout	GF-900-10	1
4	Distributor Tube	GF-GA4235	1
5	Solenoid Valve	GF-GA4040	1
6	Strainer Screen	GF-GA4004	1
7	Compression Sleeve (cooper)	GF-P102	1
	Compression Sleeve (plastic)	GF-P190	1
8	Compression Nut	GF-P101	2
9	Brass Insert Tube	GF-P189	1
10	Pad Rail	GF-900-40	2
11	Vapor Pad	GF-GA23	1
12	Distributor Trough	GF-950-15	1
13	Drain Pan	GF-950-14	1
14	Orifice (Orange)	GF-GA4299	1
16	Tubing Kit	GP-81-60	1
17	Damper Knob	GF-900-11	1
18	Damper Disk	GF-950-5	1
19	Side Panel	GF-950-2	1
20	Cover	GF-950-13	1
21	Name Plate	GF-900-16	1
ITEMS NOT SHOWN			
	Manual Humidistat	GF-MHX3	1
	Transformer	GP-81-45	1
	Saddle Valve Assy Self-Tapping	GP-81-51SPV	1