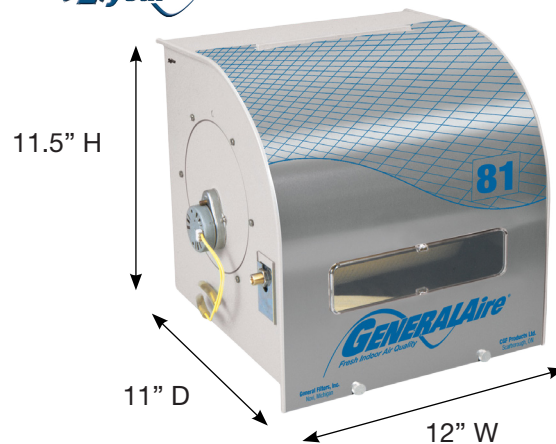


# GeneralAire® Humidifier Model 81

# Spec Sheet

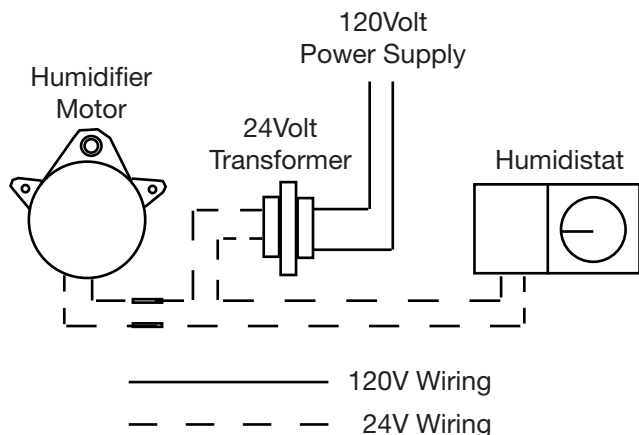
## Specifications:

- **Model:** 81 Reservoir Drum Humidifier GFI #5048
- **Type:** Reservoir Drum Humidifier
- **GPD:** 16 Based on 120° Plenum Temperature
- **Warranty:** 1 Year
- **Replacement Sleeve:** 81-15 (GFI #7099)  
(Replace 1-2 times per season)
- **Sleeve Material:** Polyurethane
- **Dimensions:** 12" Wide x 11.5" H x 11" D
- **Weight:** 13 Lbs.
- **Home Size:** To 2,800 Sq. Ft.
- **Installation:** Warm Air / Return Air Plenum / Right or Left Side
- **Plenum Opening:** 8" W X 7.5" H
- **Duct Opening:** 6"
- **Pallet Qty:** 21
- **Humidistat:** MHX3 (Included)
- **In Box:** Humidifier, humidistat, flexible bypass duct assembly, damper, saddle valve (self-tapping), 1/4" water supply tubing float valve assembly and low-voltage wire, MHX3C Manual Humidistat.
- **Voltage:** 24V
- **Thermostat Wire:** 10'; 24V
- **Electrical:** Install 24V Transformer On Junction Box With 120V Primary Leads Connected To 120V Power Supply. Connect Humidistat In Series With The 24V Circuit. (See Wiring Illustration Below).

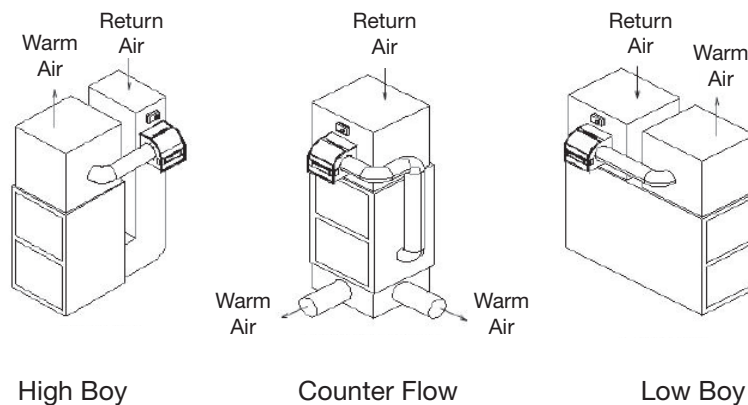


MHX3C  
Manual Humidistat  
GFI #7038  
Included

## Wiring Illustration



## Typical Installations



# GeneralAire® Humidifier Model 81

# Spec Sheet

## Expected Humidity Performance Coverage in Sq. Ft. Based on Construction Type:

Model No.	GPD	Loose (0.75 AC/H)	Average (0.50 AC/H)	Tight (0.30 A/CH)
81	16	800 Sq. Ft.	1500 Sq. Ft.	2000 Sq. Ft.

Go to [www.generalaire.com](http://www.generalaire.com) / support center / humidification calculator to assist in humidifier selection.

## Humidifier Performance Baseline Criteria

Outside Design Temp.	0°F (-18°C)
Outside Design R.H.	70% R.H.
Inside Design Temp.	70°F (21°C)
Inside Design R.H.	30% R.H.
Air Changes / Hour (AC/H)	0.30
Ceiling Height	8 ft.
Furnace Plenum Temp.	120°F (49°C)
Furnace Run Time for Calculating Sq. Ft.	8 Hr. / Day

## Recommended Settings:

At Outside Temperature		Recommended Setting
-20°F	-29°C	15%
-10°F	-23°C	20%
0°F	-18°C	25%
10°F	-12°C	30%
20°F	-7°C	35%
30°F	-1°C	40%